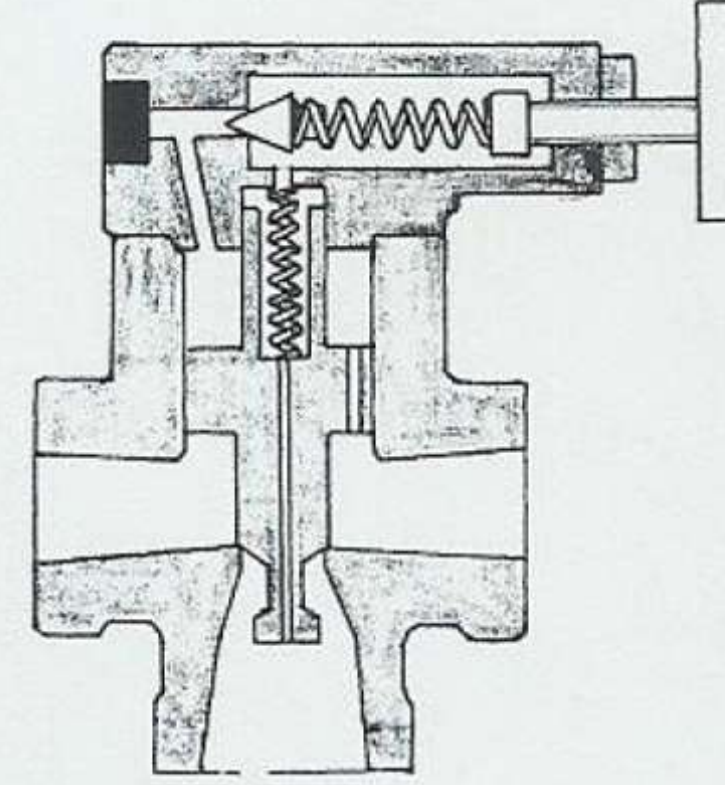
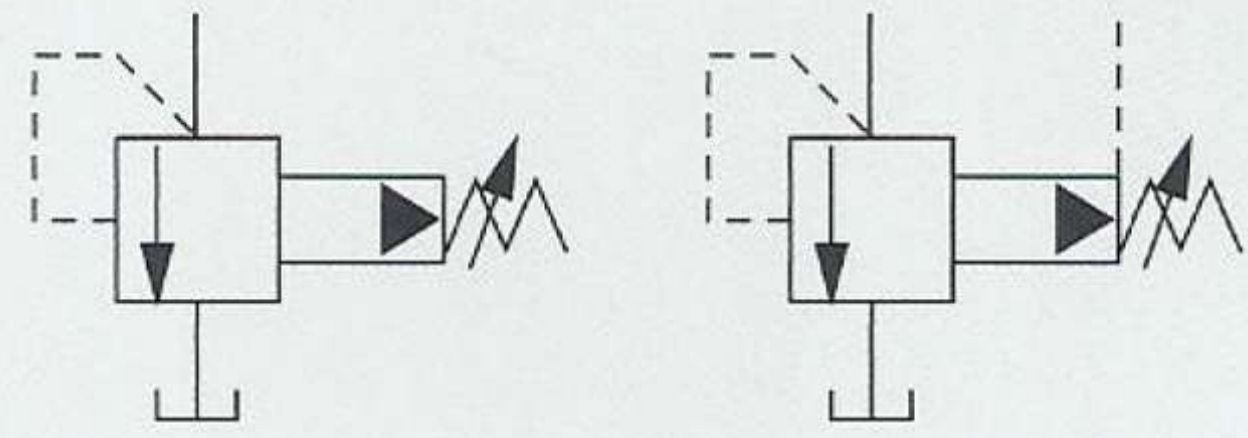


BALANCE PISTON TYPE PILOT OPERATED RELIEF VALVE



How to order

B - T - 06 - B

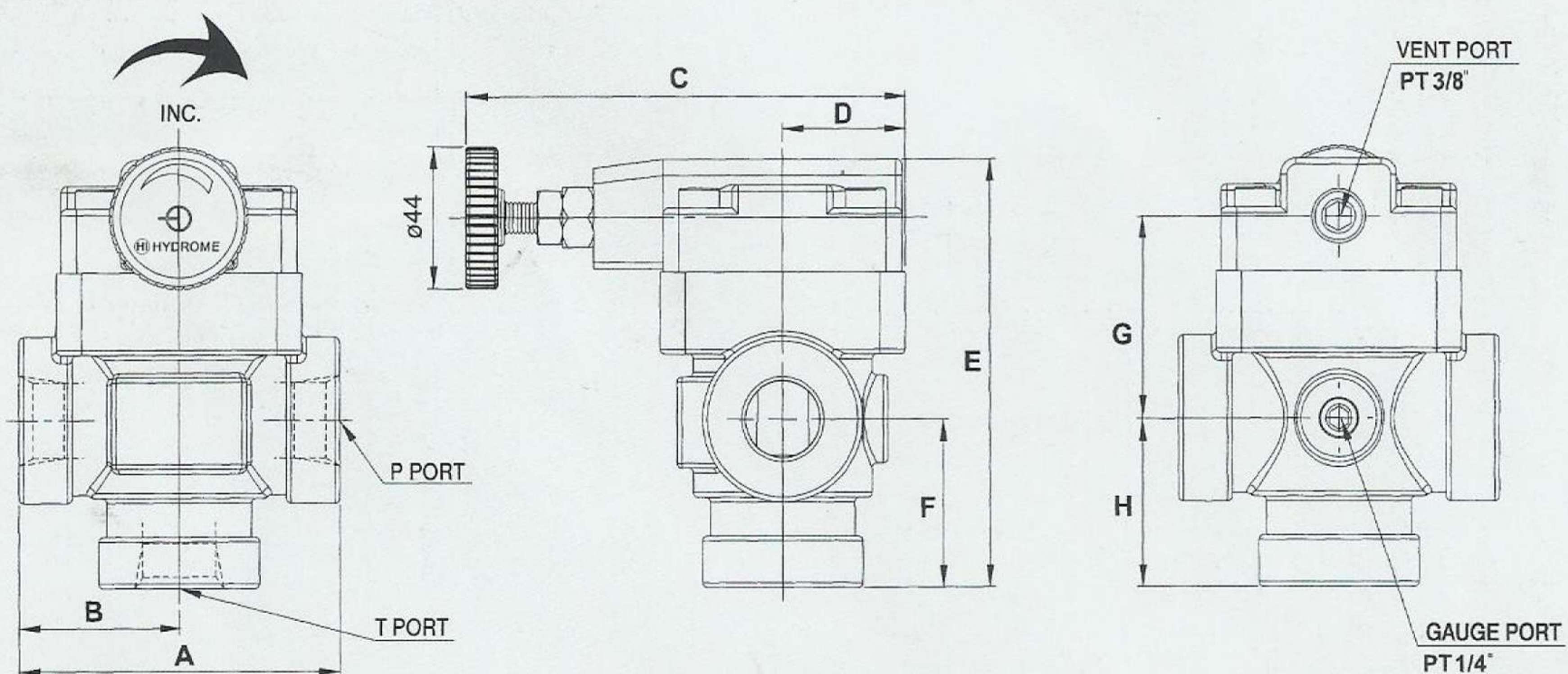
- | | |
|---|---|
| 1 | Model |
| 2 | Mounting type T: Thread connection |
| 3 | Valve size 03: 3/8" 04: 1/2" 06: 3/4" 10: 1-1/4" |
| 4 | Pressure adjusting range B: 5~70 bar C: 10~140 bar H: 35~230 bar 2H: 70~310 bar |

Specifications

Model	Max. Operating Pressure (bar)	Pressure Adj. Range (bar)	Max. Flow (lpm)	Weight (kg)
BT-03	300	B: 5~70	60	2.5
BT-04		C: 10~140	100	2.5
BT-06		H: 35~230	200	4
BT-10		2H: 70~310	400	8.5

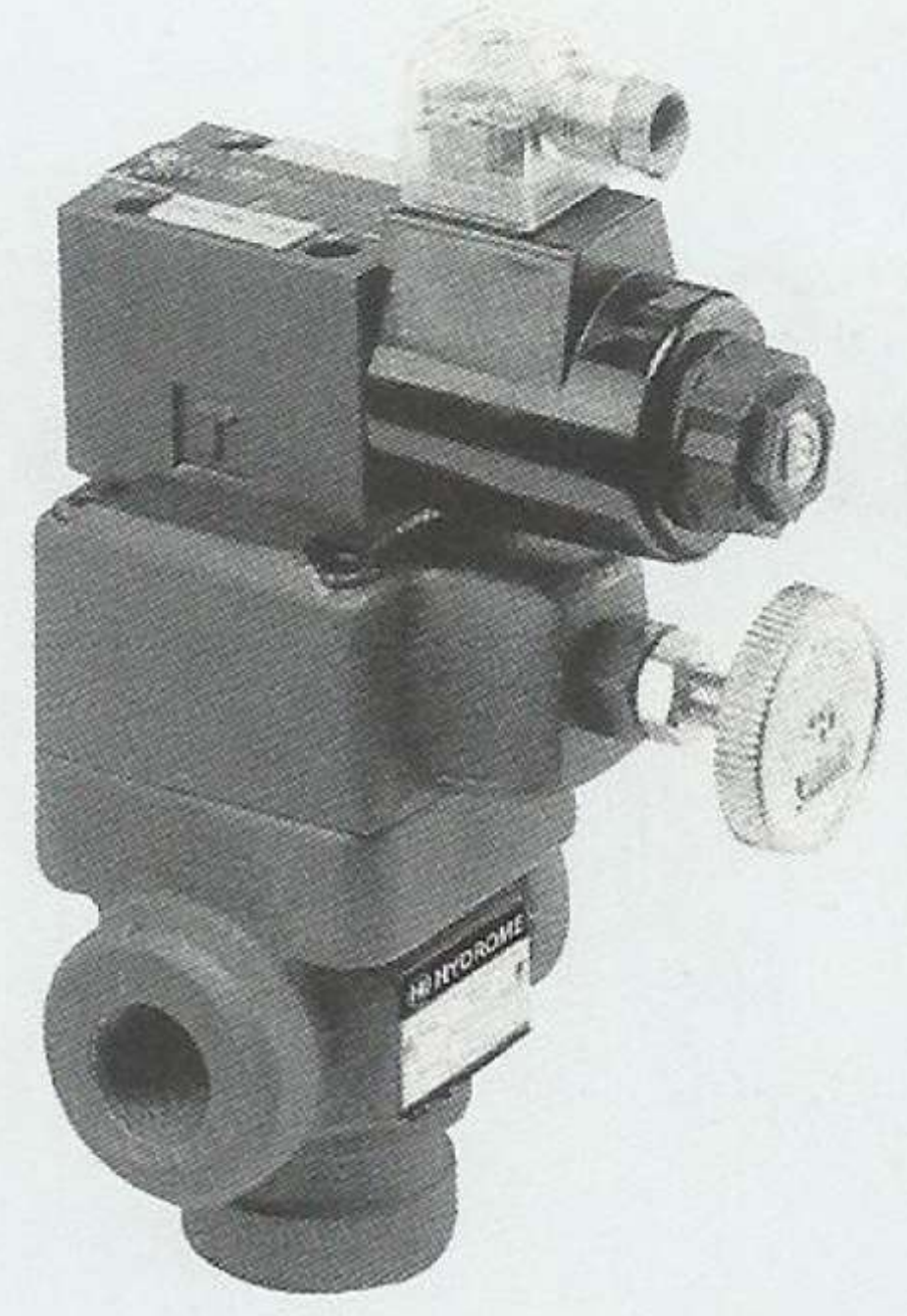
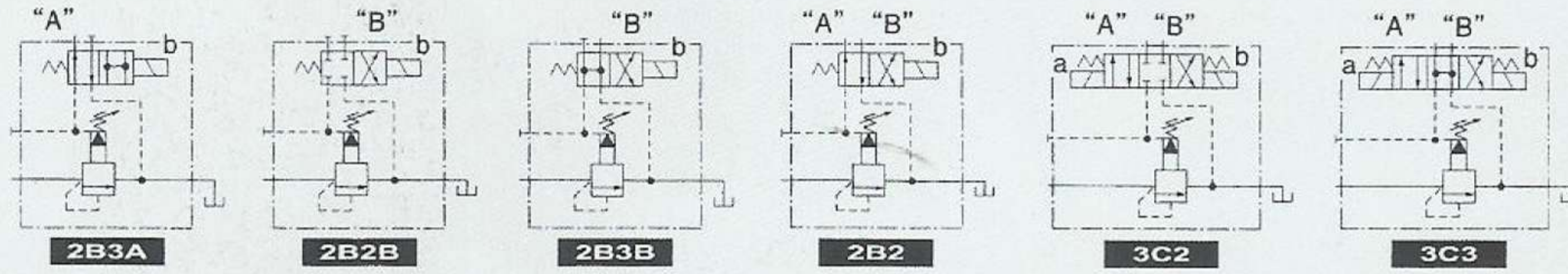
Dimensions

Unit: mm



Model	A	B	C	D	E	F	G	H
BT-03	77	38.5	132	31.5	123	42	65	42
BT-06	102	51	140	39	132	52	62	52
BT-10	140	70	152	48	191	84	86	82

SOLENOID CONTROLLED PILOT OPERATED RELIEF VALVE



How to order

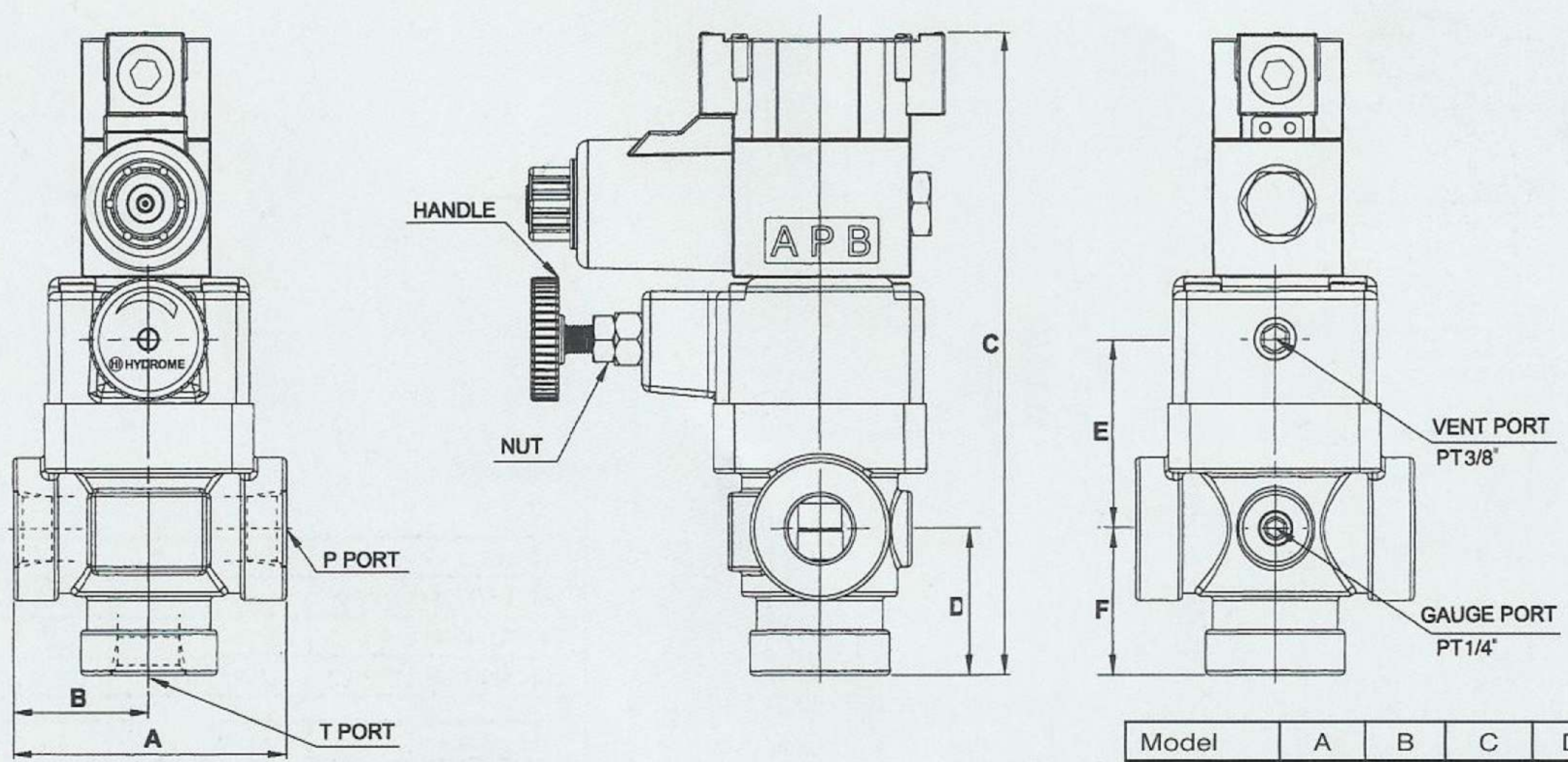
BS - T - 06 - ☒ - 2B3A - A1

1	Model
2	Mounting type T: Thread connection
3	Valve size 03: 3/8" 04: 1/2" 06: 3/4" 10: 1-1/4"
4	Pressure adjusting range B: 5~70 bar C: 10~140 bar H: 35~230 bar 2H: 70~310 bar
5	Vent type
6	Voltage A11: AC110V (50/60HZ) A22: AC220V(50/60HZ) A24: AC240V(50HZ) A38: AC380V(50HZ) D1: DC12V D2: DC24V

Specifications

Model	Max. Operating Pressure (bar)	Pressure Adj. Range (bar)	Max. Flow (lpm)	Weight (kg)
BST-03	300	B: 5~70	60	2.5
BST-04		C: 10~140	100	2.5
BST-06		H: 35~230	200	4
BST-10		2H: 70~310	400	8.5

Dimensions



Unit: mm

Model	A	B	C	D	E	F
BST-03,04	102	51	230	52	68	52
BST-06	120	51	230	52	68	52
BST-10	140	70	284	84	86	82